
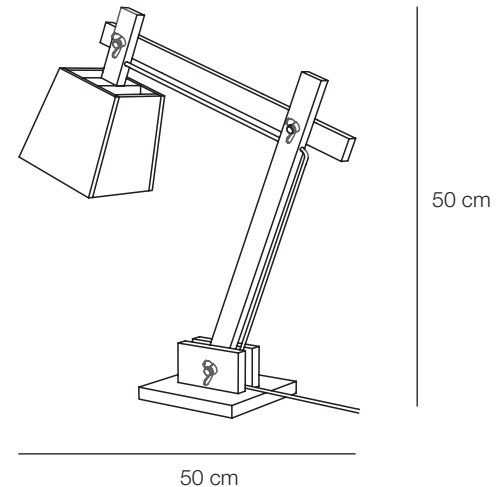


PRODUCT FACT SHEET

WOOD LAMP DESK LAMP FURNITURE / LIGHTING / ACCESSORIES

TAF Architects on the design "The all-wood lamp is a lowtech counter-weight to use the usually very modern and technical desk lamps. All details on the lamp are chosen through a pragmatic perspective and all bolts, screws and joints are emphasized. By using very simple methods we have been able to give Wood Lamp a very honest and iconic expression."

PROCESS	Cut out of dried pine blocks, grinded and whitened with white oil, glued and assembled by hand. An iron weight is used to stabilize the base.
DESIGNED BY / YEAR OF DESIGN	TAF Architects / 2009
TYPE	Desk lamp
LAMP DESCRIPTION	Wood Lamp provides a low-tech counterweight to the very modern and technical desk lamp. It has a very honest and iconic expression.
ENVIRONMENT	Indoor
DIMENSIONS (CM)	Height 50 Width 50
MATERIAL	Pine wood, PVC cord, iron weight inside plastic socket.
COLOUR / REF. CODE	Pine wood with green, white, orange or army cord
VOLTAGE (V)	220V - 240V, 50 Hz, Max 40 Watt, E14, Bulb type G  , Class II, IP20.
BULB INCLUDED	No
CANOPY	No
CORD LENGTH / DIAMETER (MM)	2300 (if longer cord is needed - please contact Muuto Customer Service)
WEIGHT (KG)	3
CLEANING INSTRUCTIONS	Clean with soft dry cloth only. Always switch off the electricity supply before cleaning.
ABOUT THE DESIGNER	TAF Architects is a Stockholm-based design and architecture studio making International headlines within product and interior design.



CERTIFICATIONS

