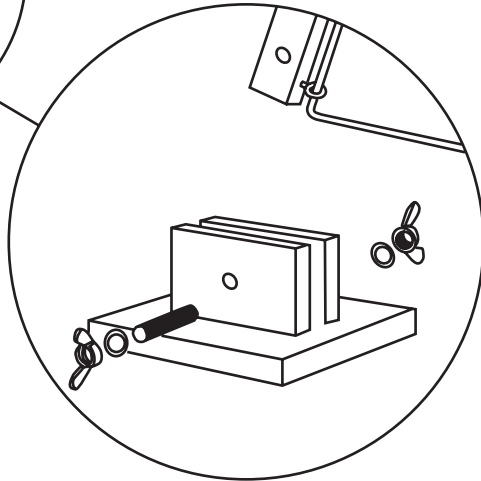
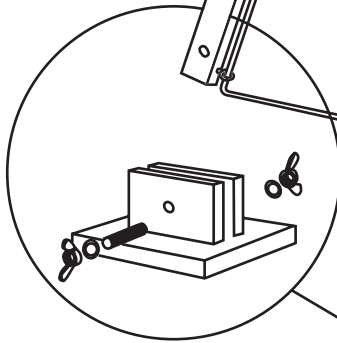
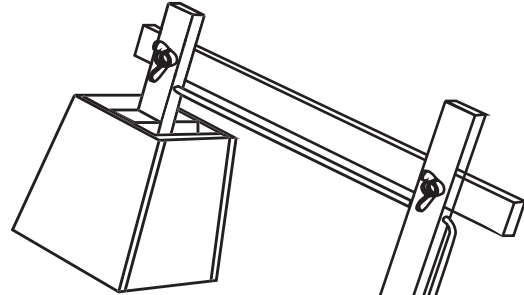
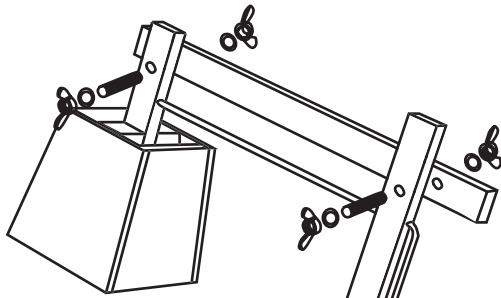


# ASSEMBLY INSTRUCTION

## WOOD LAMP BY TAF ARCHITECTS

STEP 1

STEP 2



**NOTE:**

PLEASE DISCONNECT THE LAMP WHEN ASSEMBLING OR ADJUSTING THE LAMP. MAKE SURE THAT WOOD ARMS ARE FIXET THIGHT AND THAT THE LAMP IS STABLE. USE ONLY APPROVED LIGHT BULBS ( SEE THE BOTTOM OF THE LAMP BASE.)

**MUUTO**  
NEW NORDIC